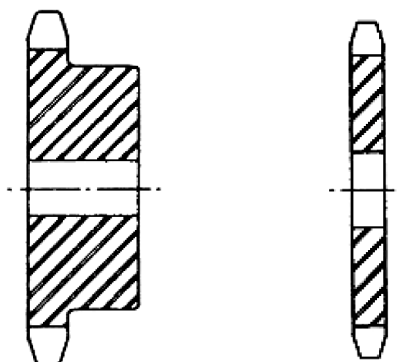


ISO 9001:2000	STYLE	TEETH	DIA.	BORE		HUB		WT.	ISO 9001:2000	STYLE	BORE	WT.							
Part Number	Bore	Quantity	Outside	Std.	Max.	Dia.	LTB	lbs	Part Number	Bore	Std. inch	lbs							
inch																			
25B9	B	9	0.837	1/4	1/4	7/16	1/2	0.03	—	—	—	—							
25B10		10	0.919			1/2		0.03											
25B11		11	1.002			3/16		9/16					0.04						
25B12		12	0.083			3/8		5/8					0.06						
25B13		13	1.167			7/16		23/32					0.07						
25B14	B	14	1.246	1/4	9/16	13/16	1/2	0.08	—	—	—	—							
25B15		15	1.326			57/64		0.10											
25B16		16	1.407			31/32		0.12											
25B17		17	1.487			5/8		1 1/32					0.14						
25B18		18	1.568			3/4		1 1/8					0.16	25A18	A	1/4	0.04		
25B19	B	19	1.648	1/4	13/16	1 7/32	1/2	0.19	25A19	A	1/4	0.04							
25B20		20	1.729			7/8		1 9/32					0.25	25A20	1/4	0.04			
25B21		21	1.809					1 3/8					0.28	25A21			3/8	0.06	
25B22		22	1.889					15/16					1 7/16	0.31					25A22
25B23		23	1.969					1					1 1/2	0.32					25A23
25B24	24	2.049	1	1 1/2	5/8		0.33	25A24	A	3/8	0.08								
25B25	25	2.129				0.34	25A25												
25B26	26	2.209				0.35	25A26	0.09											
25B28	28	2.369				0.36	25A28					0.10							
25B30	30	2.529				0.38	25A30						0.12						

FIT STRIVES FOR 100% IN QUALITY PRODUCTS

 All sprockets meets or exceeds
 A.N.S.I. Standards



ISO 9001:2000	STYLE	TEETH	DIA.	BORE		HUB		WT.	ISO 9001:2000	STYLE	BORE	WT.
Part Number	Bore	Quantity	Outside	Std.	Max.	Dia.	LTB	lbs	Part Number	Bore	Std.	lbs
			inch								inch	
25B32	B	32	2.688	3/8	1	1 1/2	5/8	0.40	25A32	A	3/8	0.14
25B36		36	3.008		1 1/2		3/4	0.50	25A36			0.18
25B40		40	3.327	1/2	1 3/8	2	3/4	0.53	25A40		1/2	0.20
25B45		45	3.725					0.56	25A45			0.25
25B48		48	3.964					0.56	25A48			0.32
25B54	B	54	4.442	1/2	1 3/8	2	3/4	1.00	25A54	A	1/2	0.38
25B60		60	4.920					1.10	25A60			0.54
25B70		70	5.717					1.25	25A70			TBA
25B72		72	5.876					1.30	25A72			0.74

FIT'S PRICES ARE EXTREMELY COMPETITIVE